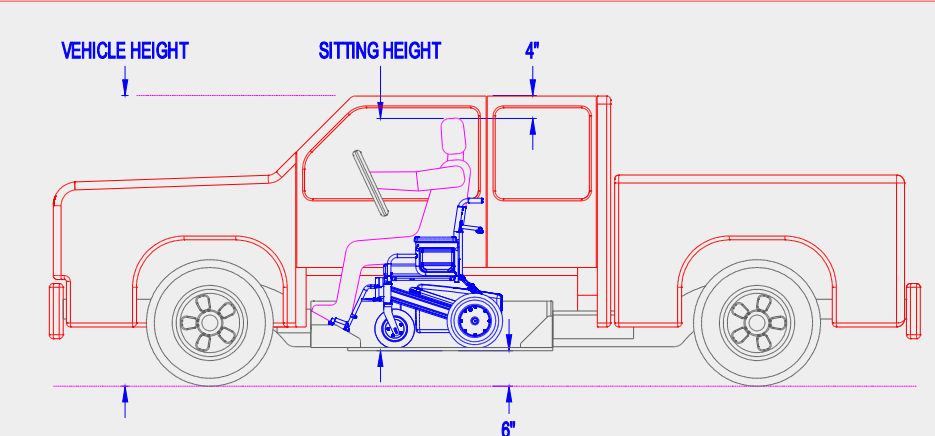


The "DropDownTruck" conversion provides for the industry's greatest selection of vehicles to be used to convert cars, trucks, SUVs, cross-overs, and vans with FWD, RWD, AWD, and 4WD for people in wheelchairs in the front and rear seating areas on both the driver and passenger sides of the vehicle.

This document lists the most popular vehicles with current specifications that will accept "DropDownTruck" conversions. The diagram below shows that there needs to be 6" of ground clearance and 4" of head clearance, so you need to pick out a vehicle that is 10" taller than the sitting height. Some vehicle drivetrain options allow that conversions be done on only 1 side of the vehicle. Vehicle heights on this list vary from 59-78".

Factors that dictate if a wheelchair will fit into a vehicle are it's L x W x H. This has been the case for over 50 years. The unique patented "re-routing" of the vehicle's frame allows the "DropDownTruck" conversion to offer an additional 7-9" of head clearance so shorter vehicles can be used and taller users can be accommodated.



Drive Train Types:	
AWD = All Wheel Drive	has center drive shaft
FWD = Front Wheel Drive	has no center drive shaft
RWD (4x2) = Rear Wheel Drive	has center drive shaft with transmission
4WD (4x4) = 4 Wheel Drive	has center drive shaft with transmission and transfer case

Make (total = 29)	Mobility Rebate	Vehicle Model (aluminum body*)	Base Price (ascending)	Vehicle Type	Vehicle Size	Features	Drive Train Options	Specs	Length [in]	Width [in]	Height [in]
Acura	\$1,000	RDX	\$37,300	Crossover	Compact	https://www.	AWD, FWD	https://www.	187	75	66
		MDX	\$44,300	SUV	Mid	https://www.	AWD, FWD	https://www.	196	78	67
Audi	\$1,500	Quattro-Q3	\$32,900	SUV	Compact	https://www.	AWD, FWD	https://www.	173	72	63
		Quattro-Q5	\$42,950	SUV	Mid	https://www.	AWD, FWD	https://www.	184	75	65
		Quattro-Q7	\$53,550	SUV	Mid	https://www.	AWD, FWD	https://www.	200	78	69
		Quattro-Q8	\$67,400	SUV	Mid	https://www.	AWD, FWD	https://www.	196	79	67
BMW	\$2,500	X1	\$34,950	SUV	Compact	https://www.	AWD, FWD	https://www.	175	72	63
		X3	\$41,000	SUV	Mid	https://www.	AWD, RWD	https://www.	186	74	66
		X5	\$60,700	SUV	Mid	https://www.	AWD	https://www.	194	79	69
		X7	\$73,900	SUV	Mid	https://www.	AWD	https://www.	203	79	71
Buick	\$1,000	Encore	\$23,200	SUV	Compact	https://www.	AWD, FWD	https://www.	168	70	65
		Envision	\$31,995	SUV	Compact	https://www.	AWD, FWD	https://www.	184	72	67
		Enclave	\$40,000	SUV	Mid	https://www.	AWD, FWD	https://www.	204	79	70
Cadillac	\$1,000	XT4	\$34,795	Crossover	Compact	https://www.	AWD, FWD	https://www.	181	77	63
		XT5	\$41,695	Crossover	Mid	https://www.	AWD, FWD	https://www.	190	75	66
		Escalade	\$75,195	SUV	Full	https://www.	RWD, 4WD	https://www.	204	81	74
		Escalade-Esv	\$78,195	SUV	Full	https://www.	RWD, 4WD	https://www.	224	81	74
Chevrolet	\$1,000	Colorado	\$21,300	Pickup	Mid	https://www.	RWD, 4WD	https://www.	213	74	70
		Trax	\$21,300	SUV	Compact	https://www.	AWD, FWD	https://www.	167	70	66
		Silverado 1500	\$28,300	Pickup	Full	https://www.	RWD, 4WD	https://www.	206	80	74
		Blazer	\$28,800	SUV	Mid	https://www.	AWD, FWD	https://www.	191	77	67
		Traverse	\$29,930	SUV	Mid	https://www.	AWD, FWD	https://www.	204	79	71
		Equinox	\$31,495	SUV	Mid	https://www.	AWD, FWD	https://www.	183	73	65
		Tahoe	\$48,000	SUV	Full	https://www.	RWD, 4WD	https://www.	204	81	74
		Suburban	\$50,800	SUV	Full	https://www.	RWD, 4WD	https://www.	224	81	74
Chrysler	\$1,000	Pacifica	\$26,995	Minivan	Mid	https://www.	FWD	https://www.	204	80	70
		300	\$28,995	Sedan	Mid	https://www.	AWD, RWD	https://www.	199	75	59
Dodge	\$1,000	Journey	\$22,995	Crossover	Compact	https://www.	AWD, FWD	https://www.	192	72	67
		Grand Caravan	\$26,250	Minivan	Mid	https://www.	FWD	https://www.	203	79	69
		Durango	\$29,995	SUV	Mid	https://www.	RWD, 4WD	https://www.	201	76	71
		Ram 1500	\$31,795	Pickup	Full	https://www.	RWD, 4WD	https://www.	233	82	78
Fiat	\$1,000	500X	\$19,995	Crossover	Compact	https://www.	AWD, FWD	https://www.	168	80	63
		500L	\$21,750	Minivan	Compact	https://www.	FWD	https://www.	167	70	65
Ford	\$1,000	Escape	\$24,105	Crossover	Compact	https://www.	AWD, FWD	https://www.	178	72	66
		C-Max	\$24,120	Sedan	Compact	https://www.	FWD	https://www.	174	72	64
		Ranger	\$24,300	Pickup	Mid	https://www.	RWD, 4WD	https://www.	211	73	71
		F-150*	\$28,155	Pickup	Full	https://www.	RWD, 4WD	https://www.	209	80	76
		Edge	\$29,995	SUV	Mid	https://www.	AWD, FWD	https://www.	189	76	68
		Flex	\$30,575	SUV	Mid	https://www.	AWD, FWD	https://www.	202	76	68
		Explorer	\$32,365	SUV	Mid	https://www.	FWD, 4WD	https://www.	199	79	70
		Expedition*	\$52,130	SUV	Full	https://www.	RWD, 4WD	https://www.	210	80	77
GMC	\$1,000	Expedition-Max*	\$65,705	SUV	Full	https://www.	RWD, 4WD	https://www.	222	80	77
		Canyon	\$21,500	Pickup	Mid	https://www.	RWD, 4WD	https://www.	212	74	70
		Terrain	\$25,000	SUV	Compact	https://www.	AWD, FWD	https://www.	186	73	66
		Acadia	\$29,000	SUV	Mid	https://www.	AWD, FWD	https://www.	194	75	66
		Sierra 1500	\$29,600	Pickup	Full	https://www.	RWD, 4WD	https://www.	229	80	74
		Yukon	\$49,100	SUV	Full	https://www.	RWD, 4WD	https://www.	204	81	74
		Yukon XL	\$51,800	SUV	Full	https://www.	RWD, 4WD	https://www.	224	81	74
		Honda	\$1,000	HR-V	\$20,520	SUV	Compact	https://www.	AWD, FWD	https://www.	170
CR-V	\$24,350			SUV	Mid	https://www.	AWD, FWD	https://www.	181	73	66
Ridgeline RT	\$29,990			Pickup	Full	https://www.	AWD, FWD	https://www.	210	79	71
Odyssey LX	\$30,090			Minivan	Mid	https://www.	FWD	https://www.	203	79	68
Pilot LX	\$31,450			SUV	Full	https://www.	FWD, 4WD	https://www.	197	79	71
Hyundai	\$1,000	Kona	\$19,240	Crossover	Compact	https://www.	AWD, FWD	https://www.	164	71	61
		Tucson	\$22,700	Crossover	Compact	https://www.	AWD, FWD	https://www.	176	73	65
		Santa Fe	\$24,250	Crossover	Mid	https://www.	AWD, FWD	https://www.	188	74	66
Infiniti	\$1,000	QX30	\$30,150	Crossover	Compact	https://www.	AWD, FWD	https://www.	174	82	59
		QX50	\$36,550	Crossover	Mid	https://www.	AWD, FWD	https://www.	185	75	66
		QX80	\$65,400	SUV	Full	https://www.	RWD, 4WD	https://www.	210	80	73
Jaguar	\$1,000	E-Pace	\$38,600	SUV	Compact	https://www.	AWD	https://www.	173	78	65
		F-Pace	\$44,600	SUV	Mid	https://www.	AWD	https://www.	186	82	65
Jeep	\$1,000	Renegade	\$18,750	SUV	Compact	https://www.	FWD, 4WD	https://www.	167	80	64
		Compass	\$21,595	SUV	Mid	https://www.	FWD, 4WD	https://www.	173	80	65
		Cherokee	\$25,240	SUV	Full	https://www.	FWD, 4WD	https://www.	182	73	66
		Grand Cherokee	\$31,695	SUV	Full	https://www.	RWD, 4WD	https://www.	190	77	69
		Kia	\$750	Soul	\$16,490	SUV	Compact	https://www.	FWD	https://www.	163
Niro	\$23,490			SUV	Compact	https://www.	FWD	https://www.	172	71	60
Sportage	\$23,750			SUV	Compact	https://www.	AWD, FWD	https://www.	176	73	64
Sorento	\$26,290			SUV	Mid	https://www.	AWD, FWD	https://www.	189	74	66
Sedona	\$27,200			Minivan	Mid	https://www.	FWD	https://www.	201	78	69
Land Rover	n/a	Discovery Sport	\$37,795	SUV	Mid	https://www.	FWD, 4WD	https://www.	181	82	68
		Range Rover Evoque	\$41,800	SUV	Mid	https://www.	FWD, 4WD	https://www.	172	78	64
Lexus	\$1,000	UX 200	\$32,000	SUV	Compact	https://www.	FWD	https://www.	177	72	61
		NX 300	\$36,385	SUV	Mid	https://www.	AWD, FWD	https://www.	183	74	65
		RX 350	\$45,995	SUV	Mid	https://www.	AWD, FWD	https://www.	193	75	68
		GX 460	\$52,155	SUV	Full	https://www.	FWD, 4WD	https://www.	192	74	74
Lincoln	\$1,000	LX 570	\$85,830	SUV	Full	https://www.	4WD	https://www.	200	78	75
		MKC	\$33,995	Crossover	Mid	https://www.	AWD, FWD	https://www.	179	73	65
		Nautilus	\$40,340	Crossover	Mid	https://www.	AWD, FWD	https://www.	190	76	66
		MKT	\$49,500	Crossover	Mid	https://www.	AWD	https://www.	208	76	67
		Navigator	\$73,205	SUV	Full	https://www.	RWD, 4WD	https://www.	210	80	76
Mazda	\$1,000	Navigator L	\$80,755	SUV	Full	https://www.	RWD, 4WD	https://www.	222	80	76
		CX-3	\$20,390	Crossover	Compact	https://www.	AWD, FWD	https://www.	168	70	61
		CX-5	\$24,350	Crossover	Mid	https://www.	AWD, FWD	https://www.	179	73	65
		CX-9	\$32,280	Crossover	Full	https://www.	AWD, FWD	https://www.	199	78	69
Mercedes	\$1,000	Frontier	\$18,990	Pickup	Mid	https://www.	RWD, 4WD	https://www.	206	73	69
		GLC	\$40,700	SUV	Compact	https://www.	4WD	https://www.	183	83	65
Mitsubishi	n/a	GLE	\$55,700	SUV	Mid	https://www.	AWD	https://www.	190	84	71
		Mirage	\$13,795	SUV	Compact	https://www.	AWD, FWD	https://www.	149	66	59
		Outlander Sport	\$20,945	Crossover	Compact	https://www.	AWD, FWD	https://www.	172	71	65
		Eclipse	\$23,595	Crossover	Compact	https://www.	AWD, FWD	https://www.	173	71	67
Nissan	\$1,000	Outlander	\$24,695	Crossover	Mid	https://www.	AWD, FWD	https://www.	185	71	67
		Titan	\$30,030	Pickup	Full	https://www.	RWD, 4WD	https://www.	228	80	75
		Murano	\$31,000	SUV	Mid	https://www.	AWD, FWD	https://www.	192	75	68
		Armada	\$47,100	SUV	Full	https://www.	RWD, 4WD	https://www.	209	80	76
Porsche	n/a	Macan	\$49,900	SUV	Compact	https://www.	AWD	https://www.	185	76	64
		Cayenne	\$65,700	SUV	Mid	https://www.	AWD	https://www.	194	78	67
Subaru	\$500	Forester	\$24,295	Crossover	Mid	https://www.	AWD	https://www.	182	72	68
		Outback	\$26,345	Crossover	Mid	https://www.	AWD	https://www.	190	72	66
Toyota	\$1,000	Rav4	\$25,500	SUV	Compact	https://www.	FWD	https://www.	181	73	65
		Tacoma	\$25,550	Pickup	Mid	https://www.	RWD, 4WD	https://www.	212	74	71
		Sienna	\$31,115	Minivan	Mid	https://www.	AWD, FWD	https://www.	201	78	69
		Highlander	\$31,330	Crossover	Mid	https://www.	AWD, FWD	https://www.	193	76	68
		Tundra	\$31,420	Pickup	Full	https://www.	RWD, 4WD	https://www.	229	80	76
VW	\$1,000	Sequoia	\$48,700	SUV	Full	https://www.	RWD, 4WD	https://www.	205	80	77
		T									